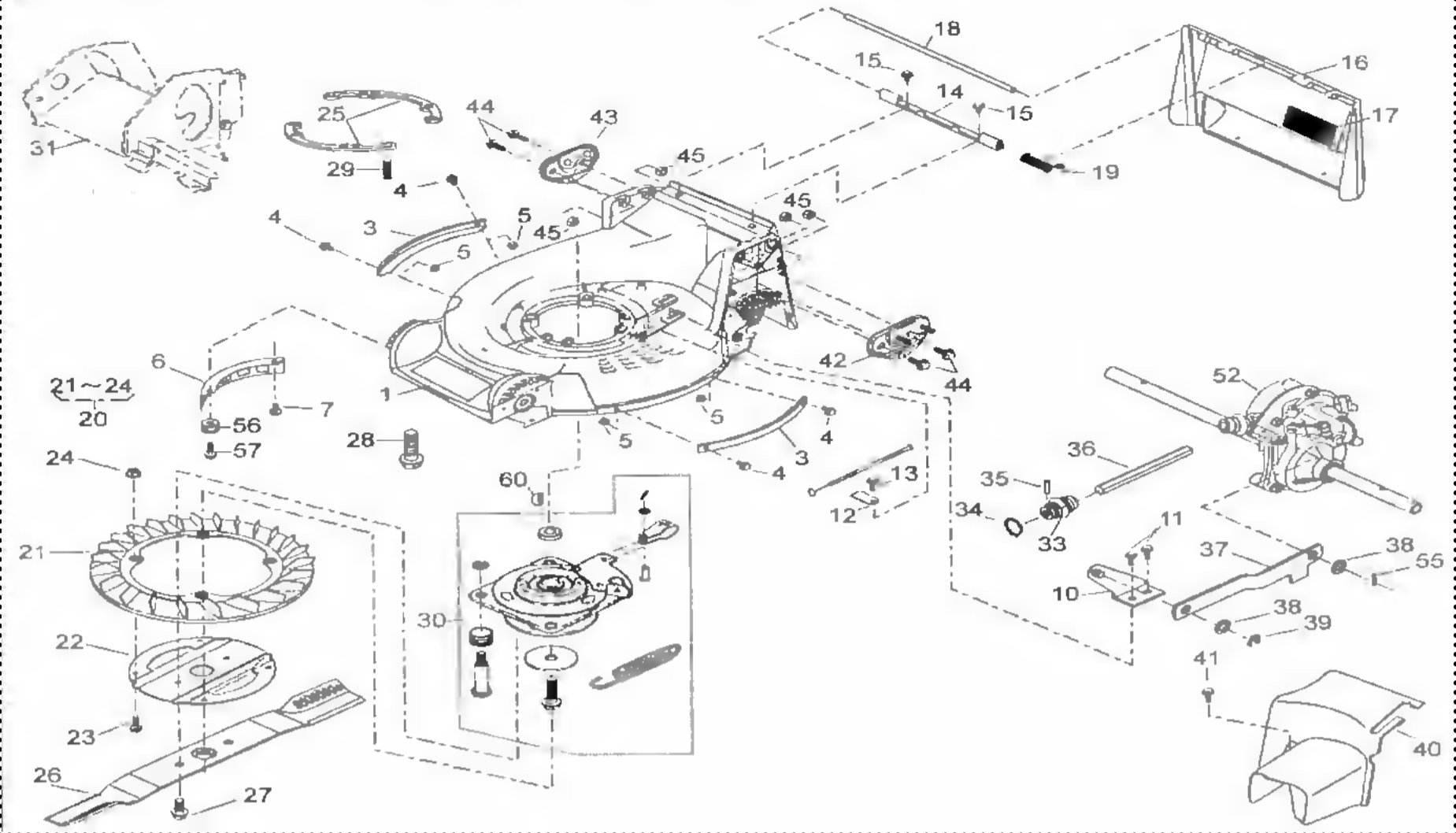


Brand: IDEAL

Model: TN2160SXAK

Product Code: 619175

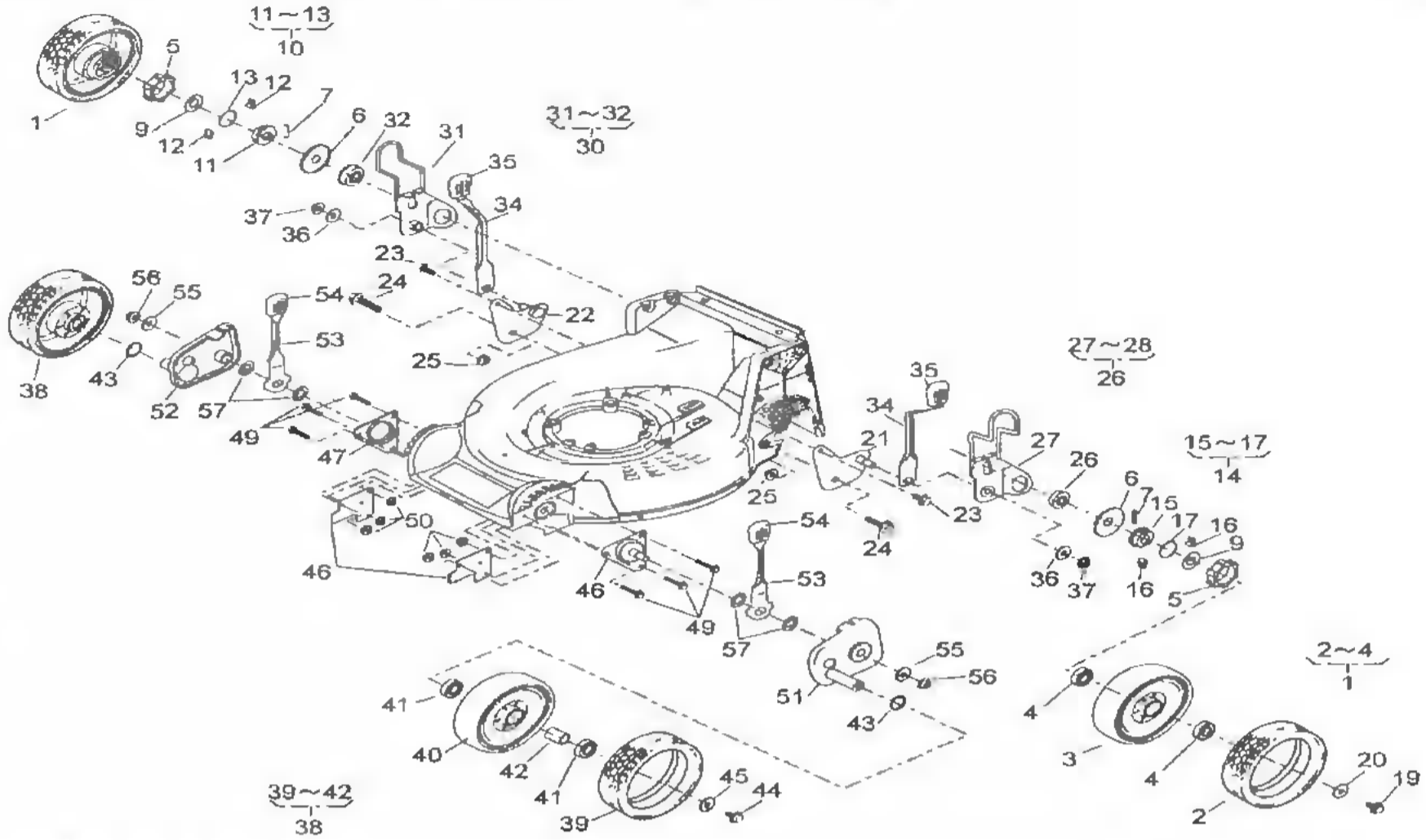


(A) TN2160SXAK

(B)

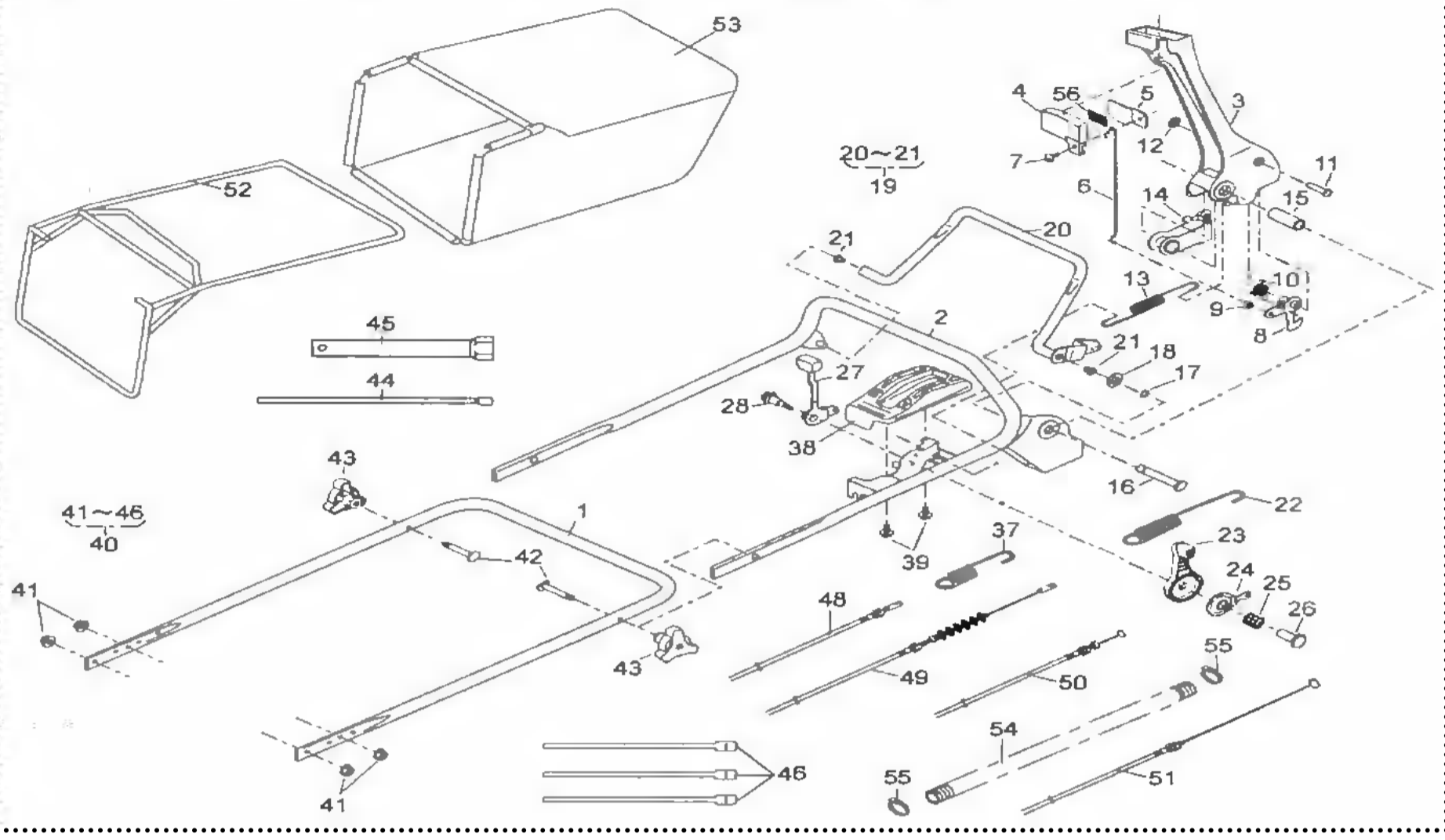
(C)

Ref.No	Parts.No	Parts.Name	(A)Q'ty	(B)Q'ty	(C)Q'ty	Remark
1	51043-151-42	HOUSING	1			
3	51090-117-09	PROTECTOR	2			
4	335L0616	FLANGE BOLT	4			
5	512L0600	HEXAGON NUT	4			
6	36065-180	COVER	1			
7	342L0612	FLANGE TAPPING BOLT	1			
10	11006-155	STAY C.P.	1			
11	342L0612	FLANGE TAPPING BOLT	2			
12	11113-407	STAY	1			
13	342L0612	FLANGE TAPPING BOLT	1			
14	11113-292	STAY	1			
15	342L0612	FLANGE TAPPING BOLT	2			
16	36068-196-46	GUARD	1			
17	36080-149	RUBBER SHEET	1			
18	64014-324	SHAFT	1			
19	68013-336	SPRING	1			
20	71082-111	FAN ASS Y	1			
21	51125-103	FAN	1			
22	11102-151	HOLDER	1			
23	31062-169	PRE-COAT LOCK BOLT	4			
24	579L0600	FLANGE NUT	4			
25	61024-209	SPACER	2			
26	91014-188	BLADE	1			
27	335M1020	FLANGE BOLT	2			
28	335L1045	FLANGE BOLT	3			
29	31039-116	STUD	1			
30	71182-111	BRAKE SET (BBC)	1			
33	91097-101	UNIVERSAL JOINT	1			
34	812V2000	C-SNAP RING	1			
35	717B0418	PARALLEL PIN	1			
36	64014-357	SHAFT	1			
37	91049-135	CONNECTOR	1			
38	68036-280	WASHER (10.5x18x1.6)	2			
39	816V0800	E-SNAP RING	1			
40	36065-438	COVER	1			
41	342L0616	FLANGE TAPPING BOLT	1			
42	51116-149	HANDLE BRACKET	1			
43	51116-150	HANDLE BRACKET	1			
44	31057-255	BOLT (M8x25)	4			
45	512L0800	HEXAGON NUT	4			
52	71008-343	GEAR CASE ASS Y	1			
55	733L1000	SNAP PIN	1			
56	11083-270	COLLAR	1			
57	342L0620	FLANGE TAPPING BOLT	1			
60	92038-2099	KEY	1			



(A) TN2160SXAK

Ref.No	Parts.No	Parts.Name	(A)Q'ty	(B)Q'ty	(C)Q'ty	Remark
1	71041-136	WHEEL ASS Y	2			
2	91086-113	TIRE	2			
4	916B6002	BEARING (6002DDC3)	4			
5	11086-119	STOPPER	2			
6	61003-112	THRUST PLATE	2			
7	31034-137	PIN	2			
9	68036-146	WASHER (16x31.5x1.0)	2			
10	71158-104	RATCHET ASS Y	1			
11	11102-235	HOLDER	1			
12	31034-170	PIN	2			
13	68013-266	SPRING	1			
14	71158-103	RATCHET ASS Y	1			
15	11102-235	HOLDER	1			
16	31034-170	PIN	2			
17	68013-266	SPRING	1			
19	31057-181	BOLT	2			
20	68036-101	WASHER (9x25x2.3)	2			
21	11006-151	STAY C.P.	1			
22	11006-152	STAY C.P.	1			
23	342L0612	FLANGE TAPPING BOLT	2			
24	31057-255	BOLT (M8x25)	2			
25	584L0800	U-FLANGE NUT	2			
26	71122-112	ADJUSTER ASS Y	1			
27	11142-131	ADJUSTER	1			
28	945L0349	BEARING (F-PC0349L)	1			
30	71122-113	ADJUSTER ASS Y	1			
31	11142-132	ADJUSTER	1			
32	945L0349	BEARING (F-PC0349L)	1			
34	11150-105-09	ADJUST LEVER	2			
35	36061-121	KNOB	2			
36	613L0800	PLAIN WASHER	2			
37	569L0800	FLANGE NYLON NUT	2			
38	71041-135	WHEEL ASS Y	2			
39	91086-113	TIRE	2			
41	916B6002	BEARING (6002DDC3)	4			
42	11083-332	COLLAR	2			
43	51113-119	RING	2			
44	31057-181	BOLT	2			
45	68036-101	WASHER (9x25x2.3)	2			
46	11006-153	STAY C.P.	1			
47	11006-154	STAY C.P.	1			
48	11113-409	STAY	2			
49	335L0625	FLANGE BOLT	6			
50	569L0600	FLANGE NYLON NUT	6			
51	11142-129	ADJUSTER	1			
52	11142-130	ADJUSTER	1			
53	11150-109-09	ADJUST LEVER	2			
54	36061-121	KNOB	2			
55	68036-101	WASHER (9x25x2.3)	2			
56	584L0800	U-FLANGE NUT	2			
57	68013-393	SPRING	4			

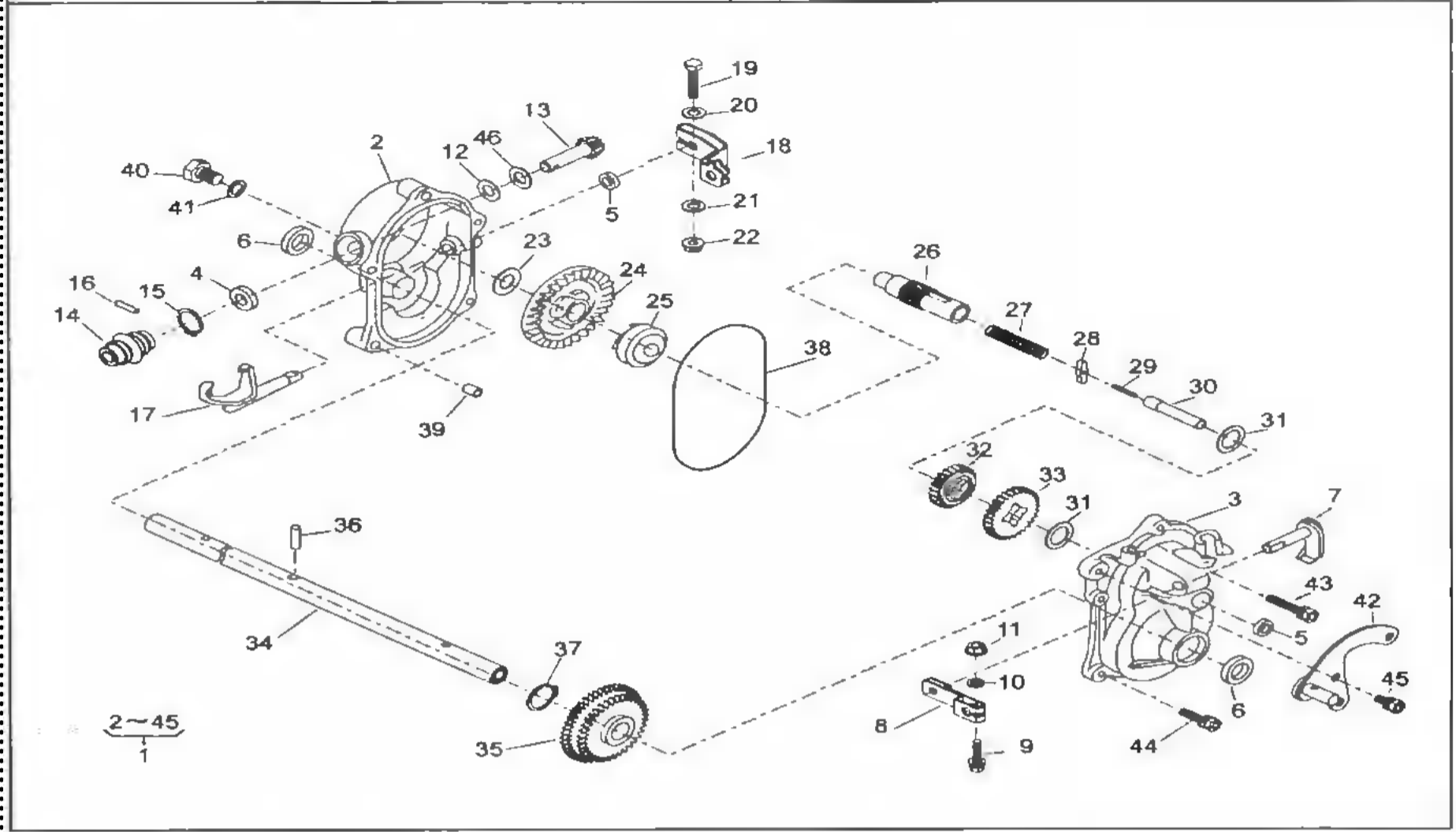


(A) TN2160SXAK

(B)

(C)

Ref.No	Parts.No	Parts.Name	(A)Q'ty	(B)Q'ty	(C)Q'ty	Remark
1	51027-266-103	HANDLE	1			
2	51027-267-103	HANDLE	1			
3	11095-172	LEVER	1			
4	36110-102	BUTTON	1			
5	11049-109	SLIDE PLATE	1			
6	64014-336	SHAFT	1			
7	376L0612	(+)TRUSS SCREW	1			
8	71203-135	ARM C.P.	1			
9	76007-183	BUSH	1			
10	68013-371	SPRING	1			
11	31056-127	GIB-HEADED PIN	1			
12	576V0600	PUSH NUT	1			
13	68013-392	SPRING	1			
14	11109-111	LINK	1			
15	61023-190	SLEEVE	1			
16	64014-337	SHAFT	1			
17	812V0800	C-SNAP RING	1			
18	613L0800	PLAIN WASHER	1			
19	71161-114-09	LEVER ASS Y	1			
21	76007-131	BUSH	2			
22	68013-391	SPRING	1			
23	91010-147	THROTTLE LEVER	1			
24	61003-113	THRUST PLATE	1			
25	68013-356	SPRING	1			
26	31058-168	HEXAGON NUT	1			
27	11095-117	LEVER	1			
28	31062-109	PRE-COAT LOCK BOLT	1			
37	68013-161	SPRING	1			
38	71900-794	COVER ASS Y	1			
39	470L0514	(+)TAPPING SCREW	2			
40	71906-141		1			
41	569L0800	FLANGE NYLON NUT	4			
42	31057-134	BOLT	2			
43	36061-118	KNOB	2			
44	66008-103	PLUG BOX BAR (8x200)	1			
45	66006-125	BOX SPANNER	1			
46	68028-118	WIRE BAND (GT280)	3			
48	91003-125	CONTROL CABLE(SPEED)	1			
49	91003-180	CONTROL CABLE(DRIVE)	1			
50	91001-328	THROTTLE WIRE	1			
51	91003-168	CONTROL CABLE(BBC)	1			
52	11062-178	FRAME C.P.	1			
53	36098-149	GRASS BAG C.P.	1			
54	41003-201	TUBE (15.6x800L)	1			
55	68028-119	WIRE BAND (SHT18R-W)	2			
56	36080-156	RUBBER SHEET	1			

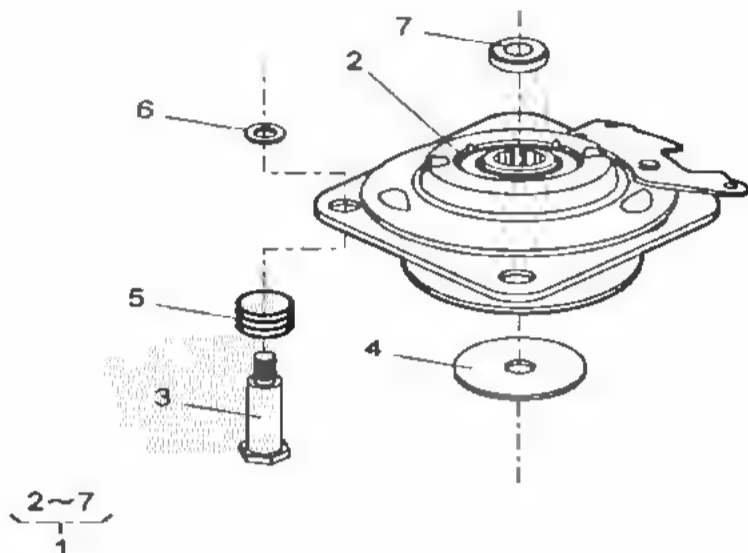


(A)  
(B)  
(C)

Ref.No	Parts.No	Parts.Name	(A)Q'ty	(B)Q'ty	(C)Q'ty	Remark
1	71008-343	GEAR CASE ASS Y	1			
2	51001-195	GEAR CASE	1			
3	51001-196	GEAR CASE	1			
4	61002-161	OIL SEAL (SD10205)	1			
5	61002-162	OIL SEAL (SD08144)	2			
6	61002-163	OIL SEAL (SD15245)	2			
7	64024-104	SHIFTER SHAFT	1			
8	11104-119	ARM	1			
9	320L0525	(+)HEX. BOLT(W/PW)	1			
10	611L0500	PLAIN WASHER	1			
11	571L0500	FLANGE NUT	1			
12	61003-109	THRUST PLATE	1			
13	78003-130	PINION	1			
14	91097-101	UNIVERSAL JOINT	1			
15	812V2000	C-SNAP RING	1			
16	717B0418	PARALLEL PIN	1			
17	11097-106	SHIFTER FORK	1			
18	11104-137	ARM	1			
19	311M0630	HEX. BOLT	1			
20	611L0600	PLAIN WASHER	1			
21	613L0600	PLAIN WASHER	1			
22	571L0600	FLANGE NUT	1			
23	61024-117	SPACER	1			
24	78001-162	BEVEL GEAR	1			
25	11129-107	CLUTCH	1			
26	64014-236	SHAFT	1			
27	68013-262	SPRING	1			
28	31034-171	PIN	1			
29	736U0320	SPRING PIN	1			
30	64014-235	SHAFT	1			
31	61024-118	SPACER	2			
32	78004-254	GEAR	1			
33	78004-255	GEAR	1			
34	64014-163	SHAFT	1			
35	78012-134	GEAR C.P.	1			
36	31034-150	PIN	1			
37	812V2200	C-SNAP RING	1			
38	214B11000	O-RING S110	1			
39	11083-201	COLLAR	2			
40	31057-262	BOLT	1			
41	68001-110	FIBER WASHER	1			
42	11006-165	STAY C.P.	1			
43	315L0625	HEX. BOLT(W/SW.PW)	3			
44	315L0635	HEX. BOLT(W/SW.PW)	2			
45	318L0612	(+)HEX. BOLT(W/SW)	1			
46	68007-132	SHIM (10.5x18x0.3)	0~2			

製品番号: 71182-111

モデル:

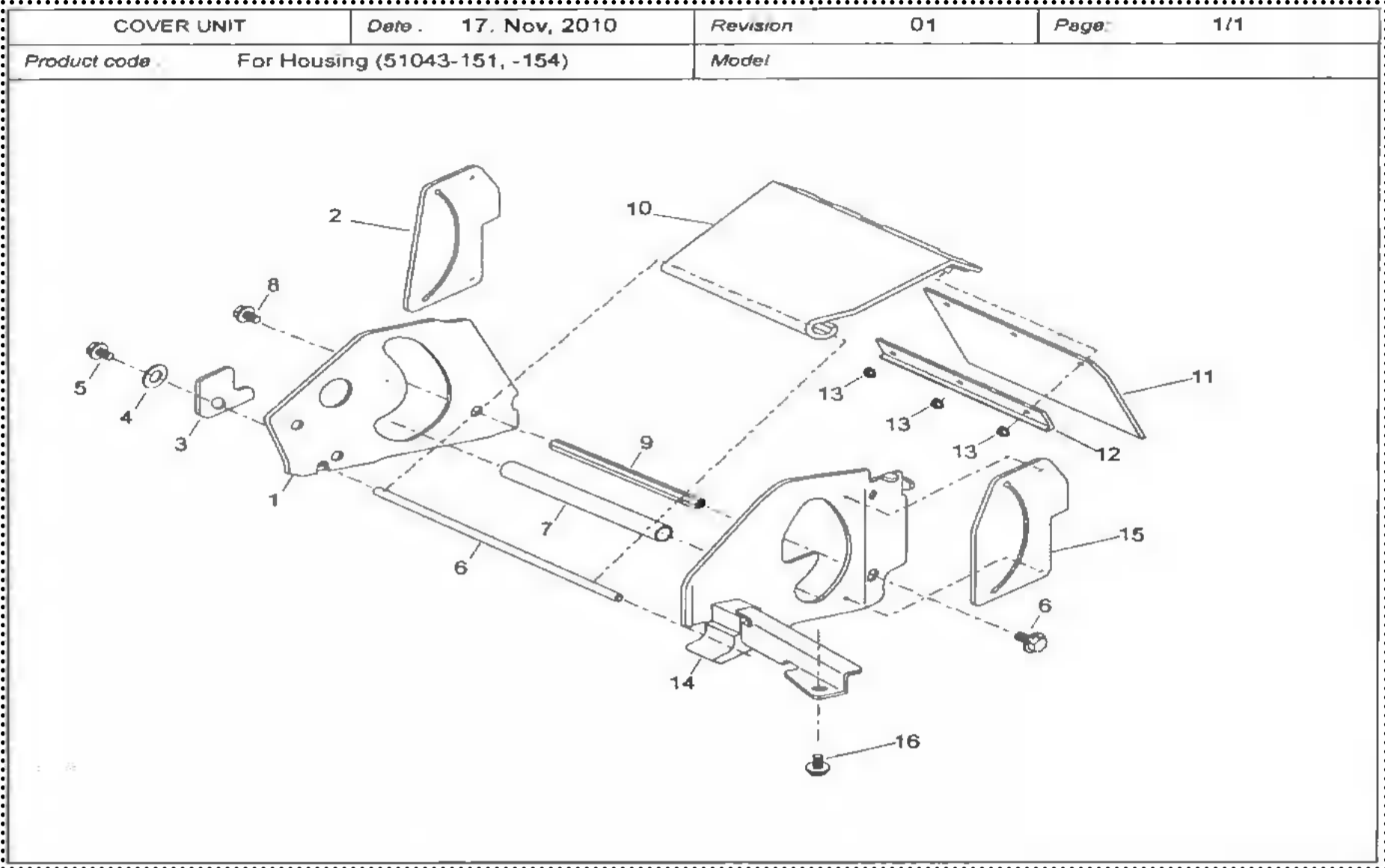


(A) 71182-111

(B)

(C)

Ref.No	Parts.No	Parts.Name	(A)Q`ty	(B)Q`ty	(C)Q`ty	Remark
1	71182-111	BRAKE SET (BBC)	1			
2	71067-119	BRAKE ASS Y	1			
3	L51294700	BOLT	4			
4	L50749600	WASHER	1			
5	68013-320	SPRING	4			
6	611L0800	PLAIN WASHER	4			
7	61024-149	SPACER	1			



(A) For Housing (51043-151.-154)

(B)

(C)

Ref.No	Parts.No	Parts.Name	(A)Q`ty	(B)Q`ty	(C)Q`ty	Remark
1	11006-166	STAY C.P.	1			
2	36080-154	RUBBER SHEET	1			
3	11113-420	STAY	1			
4	613L0800	PLAIN WASHER	1			
5	423U0812	SOCKET SCREW FLANGE	1			
6	64014-373	SHAFT	1			
7	11083-387	COLLAR	1			
8	31057-181	BOLT	2			
9	64014-374	SHAFT	1			
10	51079-124	COVER C.P.	1			
11	36080-153	RUBBER SHEET	1			
12	11050-182	FIXING PLATE	1			
13	569L0400	FLANGE NYLON NUT	3			
14	11006-167	STAY C.P.	1			
15	36080-155	RUBBER SHEET	1			
16	342L0612	FLANGE TAPPING BOLT	1			